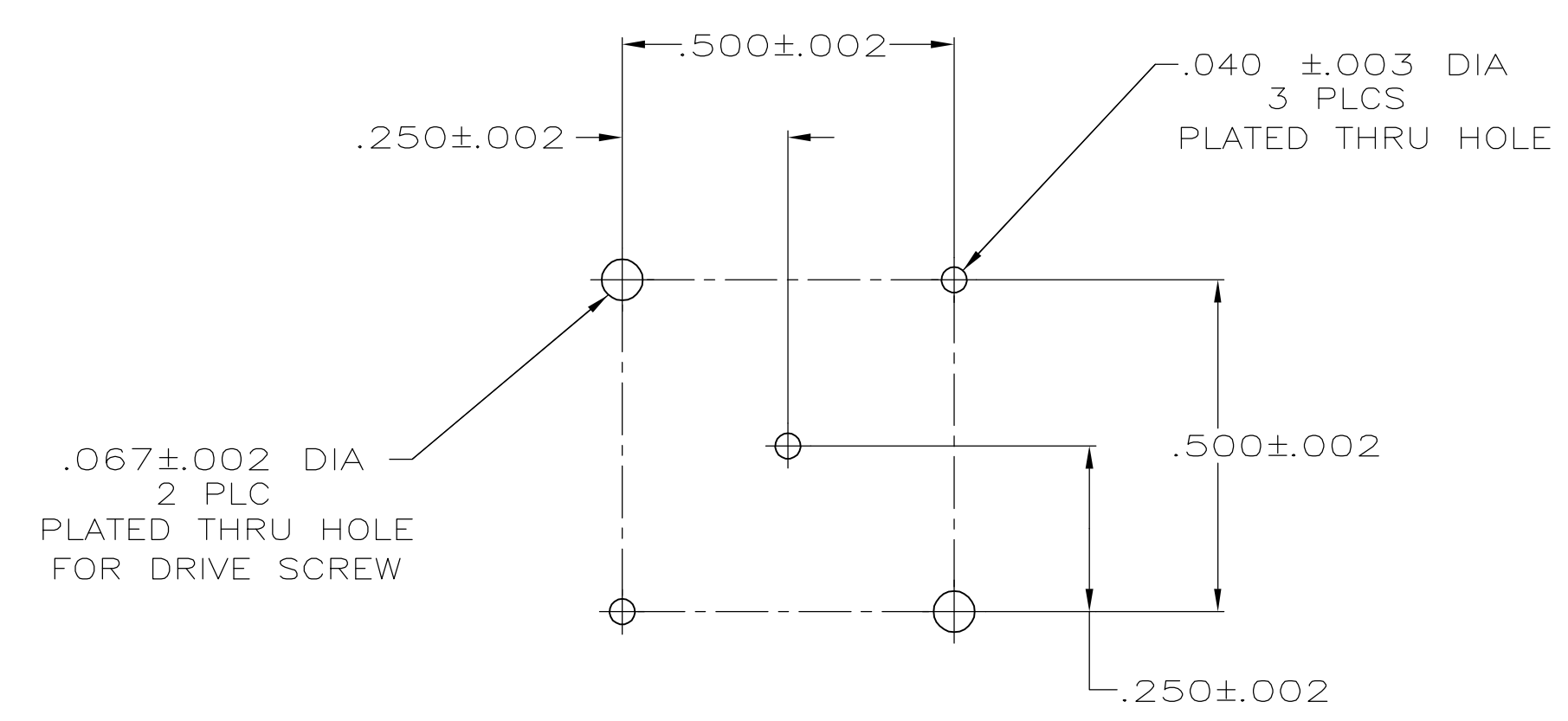
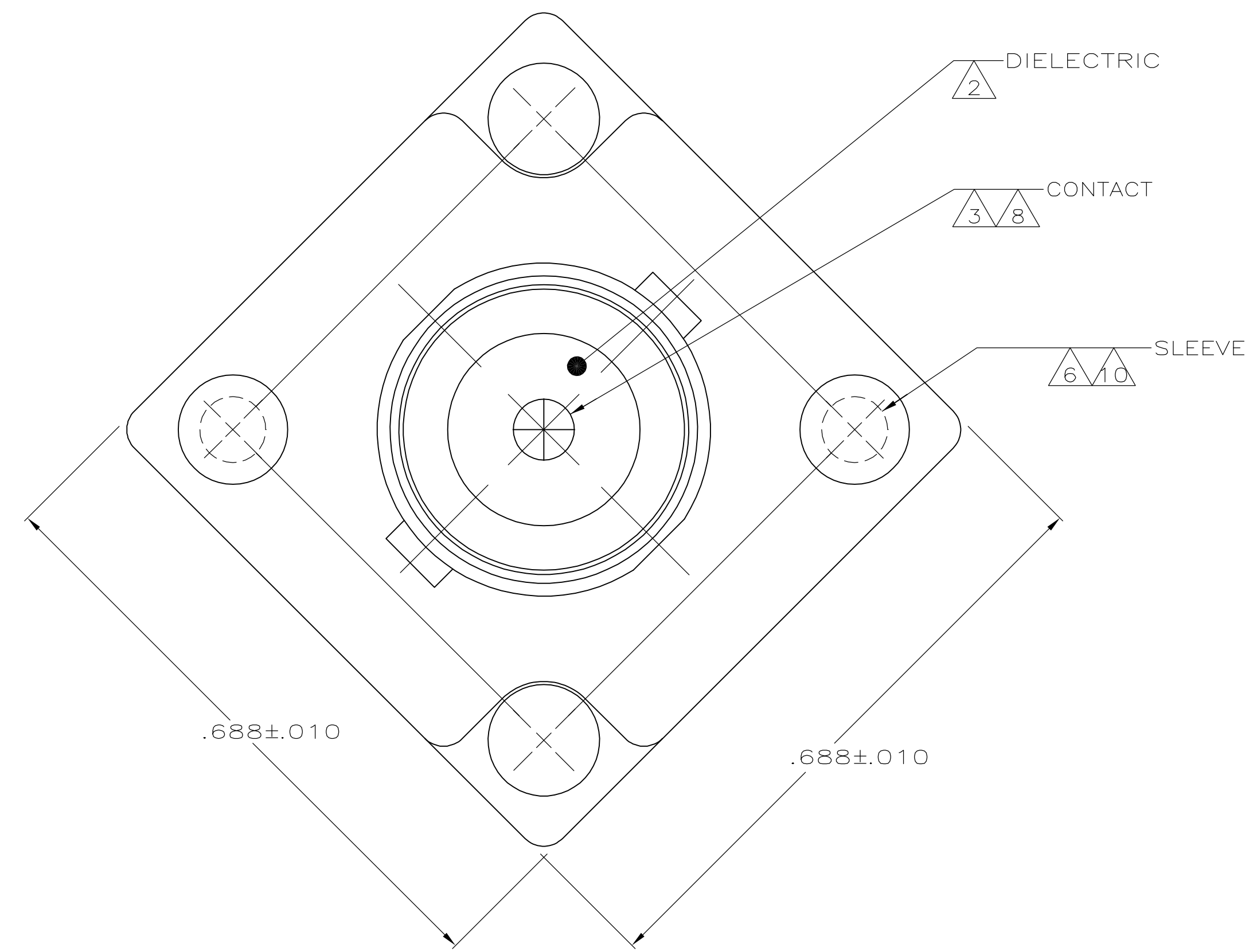
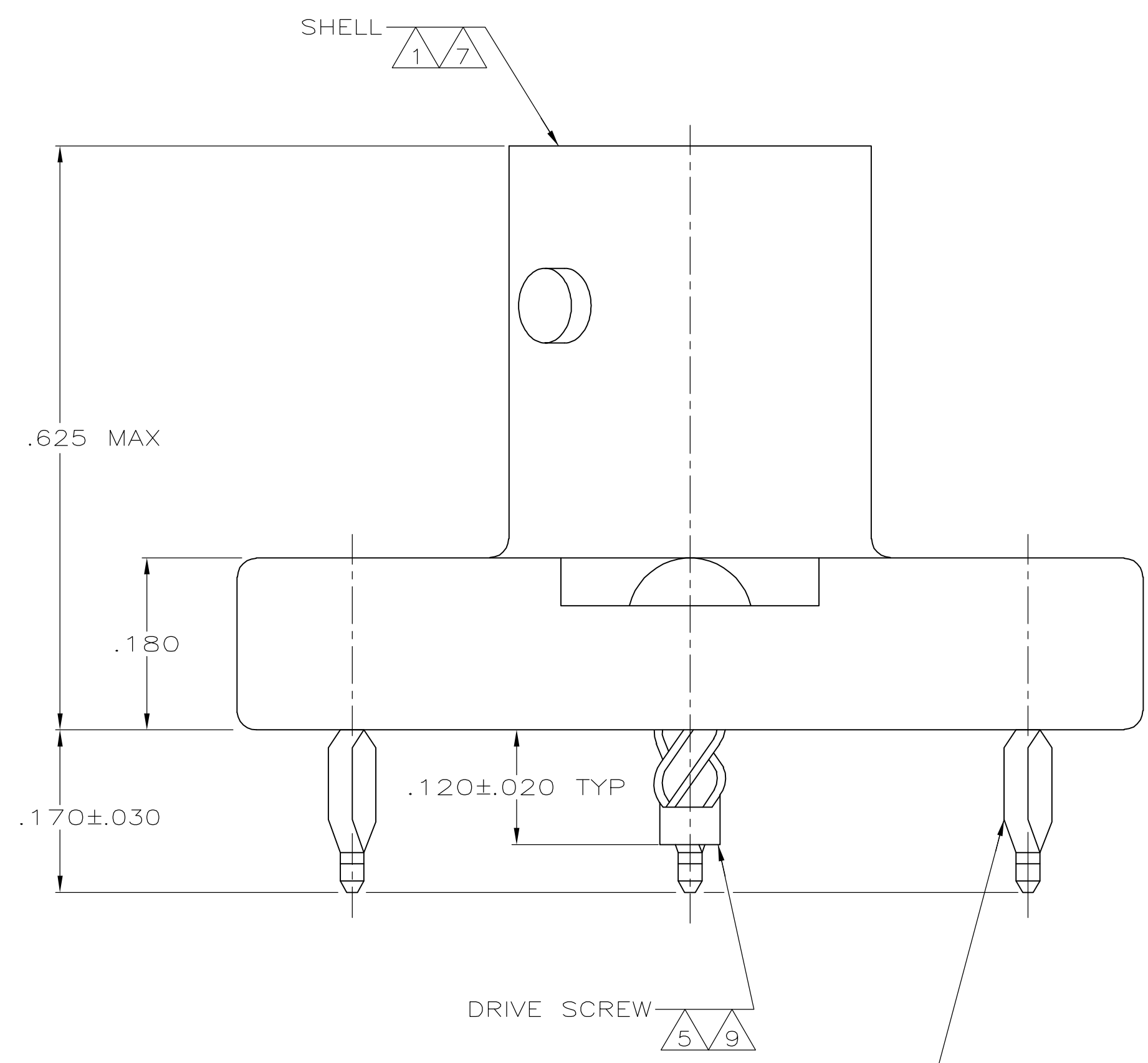


LOC	DIST	REVISIONS			
P	LTR	DESCRIPTION	DATE	DRN	APVD
AJ	16	R1	REVISED PER ECO-06-018704	06SEP2006	MC JH

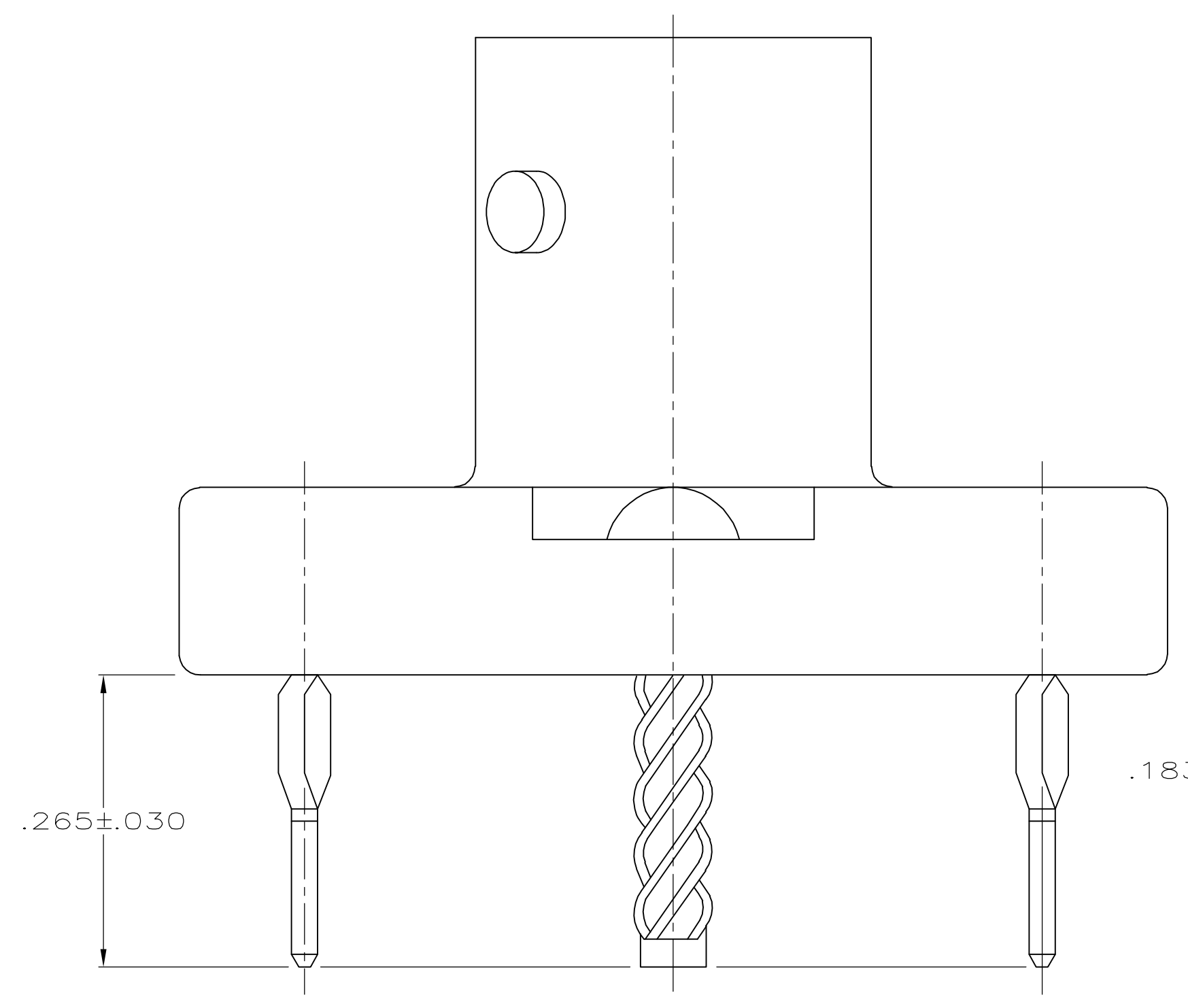


PCB CONFIGURATION
SCALE 4:1

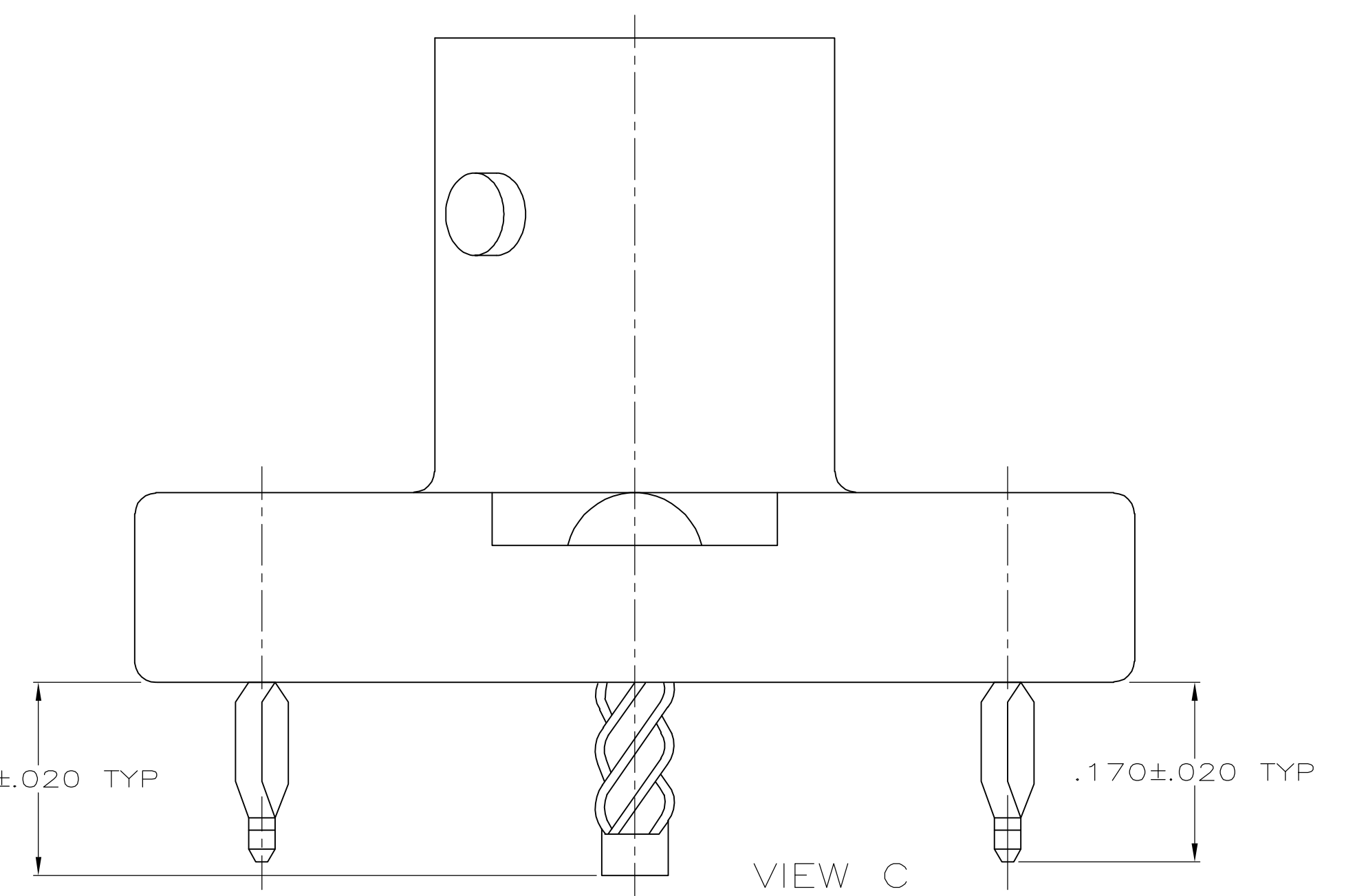
- 1 ZINC PER QQ-Z-363
- 2 PTFE PER MIL-P-19468
- 3 BERYLLIUM COPPER PER QQ-C-530
- 4 COPPER NICKEL ALLOY PER ASTM-B-122
- 5 STAINLESS STEEL PER ASTM-A-582
- 6 BRASS PER QQ-B-626
- 7 NICKEL PLATE PER QQ-N-290, .000200 MINIMUM THICKNESS
- 8 GOLD PLATE PER MIL-G-45204, .000030 - .000055 MINIMUM THICKNESS
- 9 PASSIVATE PER QQ-P-35
- 10 TIN PLATE PER ASTM-B-545, .000100 - .000200 MINIMUM THICKNESS
- 11 PREPARE BOARD AND TERMINATE PER APPLICATION SPEC 114-12001
- 12. SEE INSTRUCTION SHEET 9194.
- 13 GOLD PLATE PER MIL-G-45204.



VIEW A



VIEW B
SAME AS VIEW A
EXCEPT AS SHOWN



VIEW C
SAME AS VIEW A
EXCEPT AS SHOWN

OBSOLETE	B	221336-4
	C	221336-3
OBSOLETE	C	221336-2
OBSOLETE	A	221336-1
	VIEW	PART NUMBER

THIS DRAWING IS A CONTROLLED DOCUMENT.

DIMENSIONS: INCHES	TOLERANCES UNLESS OTHERWISE SPECIFIED:	0 PLC ± -	1 PLC ± -	2 PLC ± -	3 PLC ± .008	4 PLC ± -	ANGLES ± -
MATERIAL		FINISH		WEIGHT		CUSTOMER DRAWING	
THRU 6		THRU 10/13		A1 00779		SCALE 8:1 SHEET 1 OF 1 REV R1	

DWN R WERNER 7-2-90
 CHK R E. RUTH 7/23/90
 APVD R HENRY 7/23/90
 NAME: JACK, PCB, PRESS FIT, 75 OHM, COMMERCIAL BNC
 PRODUCT SPEC: 108-12103
 APPLICATION SPEC: 114-12001
 SIZE: A1 CAGE CODE: 00779 DRAWING NO: 221336
 RESTRICTED TO: -
 Tyco Electronics Corporation, Harrisburg, PA 17105-3608